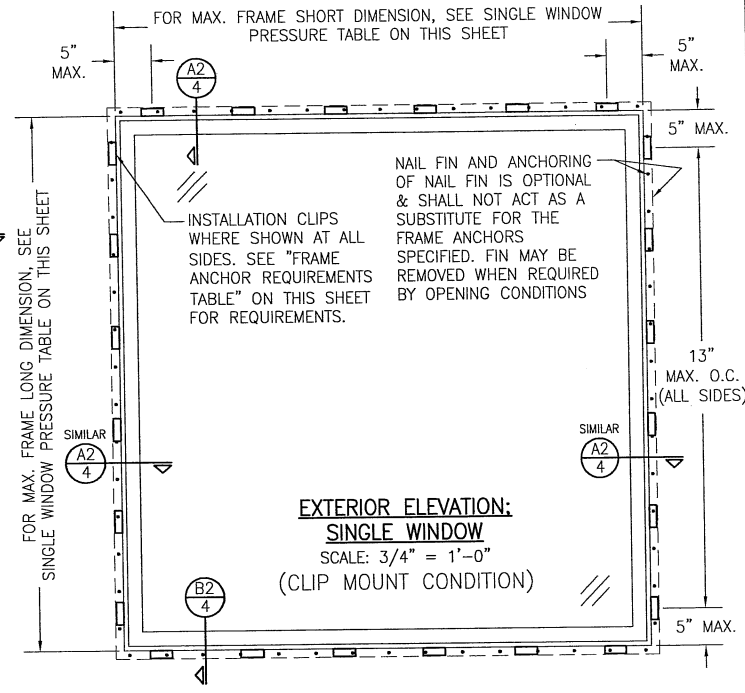
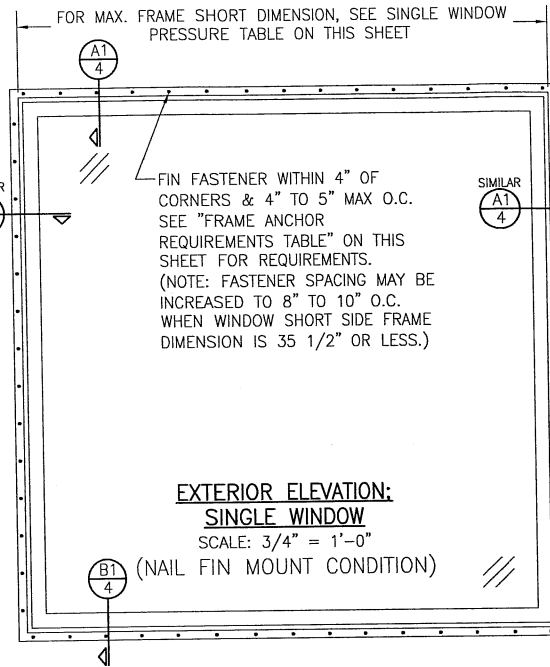


GENERAL NOTES:

1. ALL FASTENERS SHALL BE IN ACCORDANCE WITH THESE DRAWINGS. SPECIFIED ANCHOR EMBED TO BASE MATERIAL SHALL BE BEYOND WALL FINISH OR STUCCO.
2. OPENINGS, BUCKING & BUCKING FASTENERS MUST BE PROPERLY DESIGNED & INSTALLED TO TRANSFER WIND LOADS TO THE STRUCTURE.
3. THESE NON-IMPACT RATED PRODUCT INSTALLATIONS ARE IN ACCORDANCE WITH AND MEET THE REQUIREMENTS OF THE FLORIDA BUILDING CODE (FBC).
4. ALL ANCHORS SECURING PRODUCT FRAMES TO PRESSURE TREATED BUCKS OR WOOD FRAMING SHALL BE CAPABLE OF RESISTING CORROSION CAUSED BY THE PRESSURE TREATING CHEMICALS IN THE WOOD.
5. MATERIALS, INCLUDING BUT NOT LIMITED TO STEEL SCREWS, THAT COME INTO CONTACT WITH OTHER SIMILAR MATERIALS SHALL MEET THE REQUIREMENTS OF FLORIDA BUILDING CODE CHAPTER 20.
6. TO THE BEST OF OUR KNOWLEDGE, THE PRODUCT SHOWN HEREIN IS CERTIFIED & QUALITY ASSURED BY A FLORIDA STATE APPROVED CERTIFICATION/OA ENTITY & SHALL BE LABELED IN ACCORDANCE WITH THE FBC AND THE FLORIDA DEPARTMENT OF BUSINESS & PROFESSIONAL REGULATION SPECIFICATIONS. PRODUCT ASSEMBLY IS NOT PART OF THIS DRAWING AND SHALL BE IN ACCORDANCE WITH THE MANUFACTURER'S QUALITY ASSURANCE SPECIFICATIONS & TESTING REPORTS.
7. CERTIFICATION OF THESE PRODUCT INSTALLATIONS SHALL BE CONSIDERED VOID IF ANY OF THE FOLLOWING APPLY: 1) PRODUCT IS INSTALLED WITHOUT A BUILDING PERMIT FROM THE APPLICABLE LOCAL BUILDING DEPARTMENT. 2) PRODUCT IS INSTALLED BY ANYONE OTHER THAN A LICENSED CONTRACTOR EXPERIENCED WITH INSTALLATIONS OF THIS TYPE OF PRODUCT. 3) IF CHANGES HAVE OCCURRED TO THE PRODUCT'S CERTIFICATION ENTITY'S CERTIFICATE THAT CAUSE THESE INSTALLATIONS TO BE INCORRECT OR INCONSISTENT WITH WHAT HAS BEEN TESTED.
8. THE LEAST DESIGN PRESSURE SPECIFIED EITHER IN THIS DRAWING OR IN THE PRODUCTS CERTIFICATION SHALL CONTROL FOR THE INSTALLED PRODUCT.
9. THESE DRAWINGS CERTIFY THE PRODUCT INSTALLATION ONLY. WATER PROOFING OF THE INSTALLED PRODUCT IS NOT PART OF THIS INSTALLATION CERTIFICATION. THAT RESPONSIBILITY SHALL BE THAT OF THE MANUFACTURER &/OR INSTALLER.

INSTALLATION EVALUATION IS BASED ON APPLICABLE ANCHOR STANDARDS AND/OR INFORMATION & RESULTS FROM APPLICABLE TEST REPORTS. THE FLORIDA BUILDING CODE VERSION CONSIDERED WITH THE EVALUATION WAS THAT IN FORCE AT THE TIME OF THE EVALUATION. IN THE EVENT OF CODE VERSION CHANGES/UPDATES OR IN THE EVENT THAT NEW OR ADDITIONAL TESTING IS COMPLETED ON THE REFERENCED PRODUCT, PRIOR TO STATING CODE COMPLIANCE WITH THE STATE, THE MANUFACTURER SHALL CONFIRM WITH THE INSTALLATION EVALUATION ENGINEER OF RECORD THAT THE INSTALLATIONS SPECIFIED HERE-IN ARE CURRENT WITH THE THEN CURRENT TESTING, CODE AND APPLICABLE STANDARDS.



FRAME ANCHOR REQUIREMENTS TABLE			
OPENING TYPE (SUBSTRATE)	FRAME/CLIP/NAIL FIN TO OPENING FASTENER TYPE	MINIMUM EMBED	MINIMUM EDGE DIST.
(1) INSTALLATION CLIP SCREWS			
MIN. 2X4 WOOD FRAME OR BUCK (MIN. GR. 3 & G=0.55)	NO. 10 SMS SCREW	1 1/4"	1/2"
MIN. 18 GA. 33 KSI METAL STUD	NO. 10 GR. 5 SELF TAP/DRILL SCREW	FULL	1/2"
MIN. 1/8" THK A36 STEEL	NO. 10 GR. 5 SELF TAP/DRILL SCREW	FULL	1/2"
MIN. 1/8" THK 6063-T5 ALUM.	NO. 10 GR. 5 SELF TAP/DRILL SCREW	FULL	1/2"
2500 PSI CONCRETE	(2) 1/4" CONCRETE SCREW	1 1/4"	2"
(3) NAILING FIN FASTENERS			
MIN. 2X4 WOOD FRAME OR BUCK (MIN. GR. 3 & G=0.55)	11 GA. ROOFING NAIL	1 3/8"	1/2"
MIN. 2X4 WOOD FRAME OR BUCK (MIN. GR. 3 & G=0.55)	NO. 8 SMS SCREW	1 3/8"	1/2"
MIN. 1/8" THK A36 STEEL	NO. 8 GR. 5 SELF TAP/DRILL SCREW	FULL	1/2"
MIN. 1/8" THK 6063-T5 ALUM.	NO. 8 GR. 5 SELF TAP/DRILL SCREW	FULL	1/2"
(1) INSTALLATION CLIP SCREWS SHALL BE A PAN OR HEX HEAD SCREW.			
(2) CONCRETE SCREWS SHALL BE ELCO ULTRACONS (C.S.), ELCO CRETE-FLEX (S.S.), ITW RAMSET/RED HEAD TAPCONS (C.S. OR S.S.) OR HILTI KWIK-CON II (C.S. OR S.S.).			
(3) WHEN SCREWS ARE USED WITH THE NAIL FIN, THEY MUST BE A WAFFLE HEAD SCREW OR HAVE A FLAT WASHER AT THE SCREW HEAD.			

CONDITIONS SHOWN ON THIS DRAWING ARE GOVERNED BY INSTALLATION REQUIREMENTS ONLY. THE GOVERNING CONDITIONS ON ANY SPECIFIC WINDOW SHALL BE THE LESSER OF THOSE SPECIFIED IN THE WINDOWS STATE APPROVAL OR THAT SHOWN IN THESE DRAWINGS.

ALTERNATE ANCHOR/SUBSTRATE EVALUATION NOTE:
ALL ALTERNATE ANCHORS IN THEIR SPECIFIED SUBSTRATES HAVE BEEN ANALYZED IN ACCORDANCE WITH THEIR APPLICABLE STANDARD(S) AND ARE FOUND TO BE EQUIVALENT TO OR STRONGER THAN THE ANCHOR(S) USED IN TESTING WITH THIS PRODUCT.

INSTALLATION NOTE:
WHEN NECESSARY, INSTALLATION METHODS MAY BE MIXED WITH ANY ONE WINDOW SUCH THAT INDIVIDUAL SIDES OF THE WINDOW MAY USE ONE OR THE OTHER ANCHOR METHOD (EXAMPLE: ONE SIDE MAY USE FRAME SCREW METHOD WHILE OTHER SIDES USE FIN)

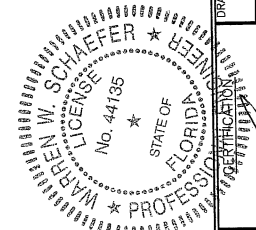
ALLOWABLE SINGLE WINDOW SIZE/PRESSURE TABLE

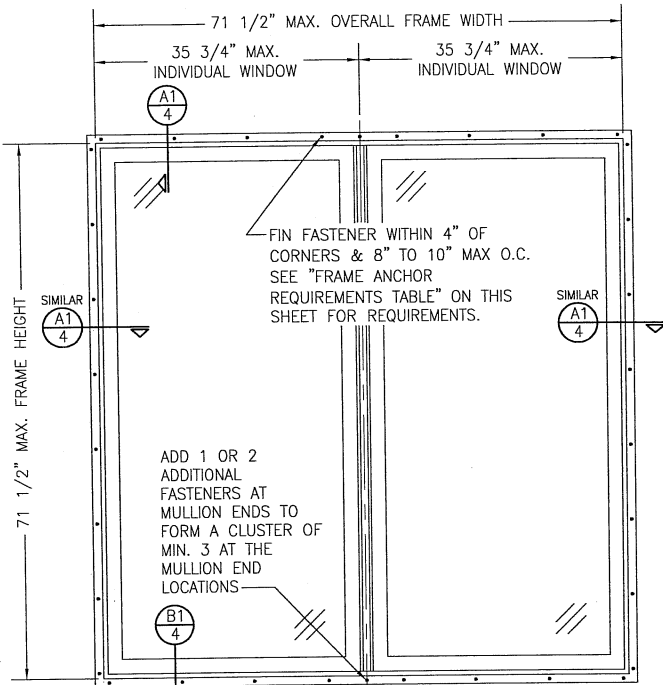
MAXIMUM FRAME LONG DIMENSION (IN.)	MAXIMUM FRAME SHORT DIMENSION (IN.)	ALLOWABLE PRESSURE (+/- PSF)
59 1/2	59 1/2	50
71 1/2	71 1/2	35

PRESSURE SHOWN IN THIS TABLE IS FOR INSTALLATION CONDITIONS ONLY. THE GOVERNING DESIGN PRESSURE ON THE WINDOWS SHALL BE THE LESSER OF THAT SHOWN IN THE INDIVIDUAL WINDOW'S STATE APPROVAL OR THAT SHOWN IN THIS TABLE.

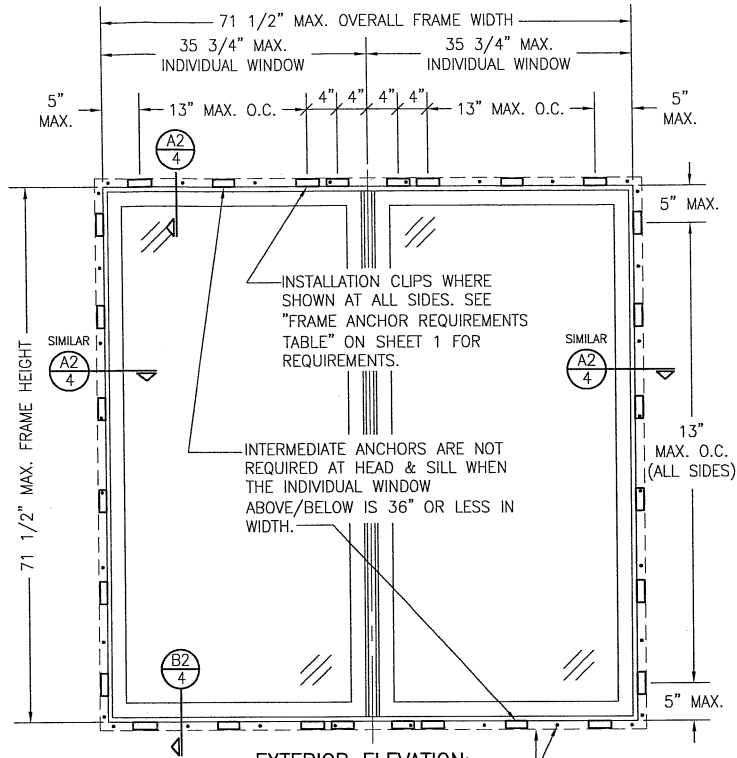
THESE DRAWINGS ARE APPLICABLE ONLY TO THE PRODUCT SPECIFIED. THEY MAY NOT BE USED FOR THE ASSEMBLY AND/OR INSTALLATION OF ANY OTHER PRODUCT NOR MAY THEY BE USED FOR RATIONAL AND/OR LOCAL APPROVAL OF ANY PRODUCT NOT PRODUCED BY THE MANUFACTURER STATED ON THESE DRAWINGS.

DRAWING NO. 1935 SHEET NO. 1 OF 4	REV. A
DRAWING TITLE: 250 SERIES VINYL NON-IMPACT FIXED CASEMENT/awning WINDOWS	MANUFACTURER: Pella Corporation 102 MAIN STREET PELLA, IA 50219 641-621-1000
CONSULTANTS: W. W. SCHAEFER ENGINEERING & CONSULTING, P.A. (CA 6809) 7480 150TH COURT NORTH, 3418 PALM BEACH GARDENS, FL 33418 PHONE: 561-749-5464	DRAWING NO. 1935 SHEET NO. 1 OF 4
DATE: 09/19/18 CHECKED BY: W.W.S. DATE: 04/05/18	REVISION DESCRIPTION: A1 UPDATE FOR NEW TESTING





EXTERIOR ELEVATION:
2-WIDE WINDOW
 SCALE: 3/4" = 1'-0"
 (NAIL FIN MOUNT CONDITION)



EXTERIOR ELEVATION:
2-WIDE WINDOW
 SCALE: 3/4" = 1'-0"
 (CLIP MOUNT CONDITION)

NAIL FIN AND ANCHORING OF NAIL FIN IS OPTIONAL & SHALL NOT ACT AS A SUBSTITUTE FOR THE FRAME ANCHORS SPECIFIED. FIN MAY BE REMOVED WHEN REQUIRED BY OPENING CONDITIONS


ALLOWABLE DESIGN PRESSURE (2-WIDE WINDOW UNITS) +/-35 PSF

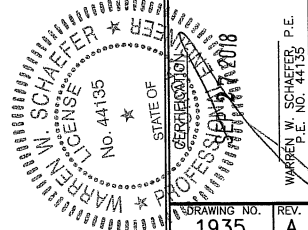
- 2-WIDE UNIT NOTES:**
1. THE WINDOWS WITHIN ARE NOT REQUIRED TO BE OF EQUAL WIDTH.

DRAWN BY: W.W.S.	CHECKED BY: W.W.S.
PLOT: 1-16	DATE: 04/05/18
NO.	REVISION DESCRIPTION

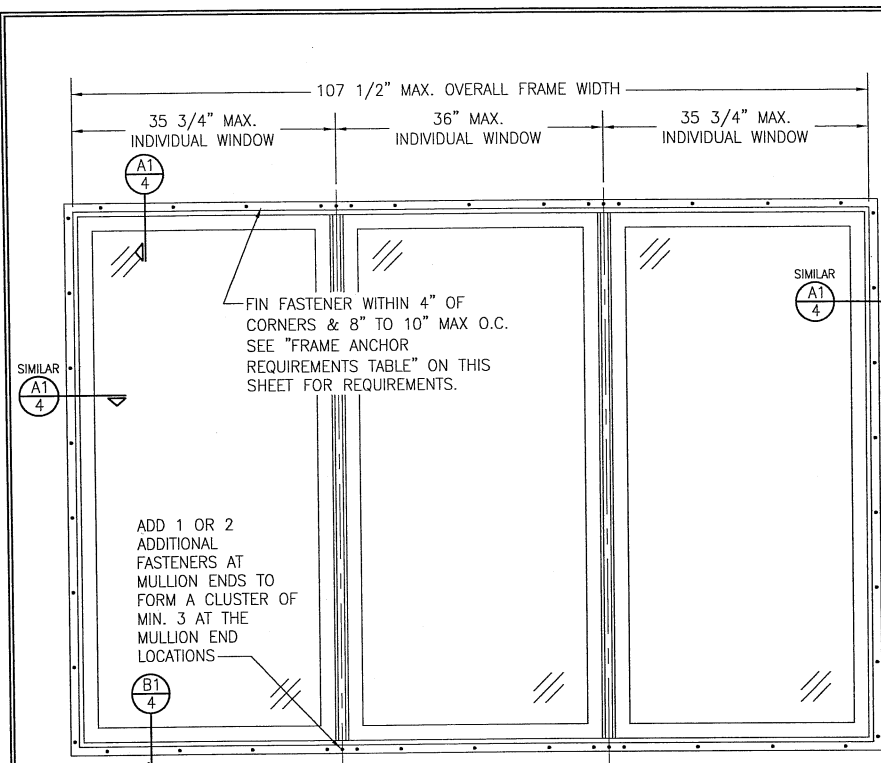
DRAWING TITLE
 250 SERIES VINYL NON-IMPACT FIXED CASEMENT/awning WINDOWS

CONSULTANTS
 W. W. SCHAEFER ENGINEERING & CONSULTING, P.A. (CA 6809)
 7480 150TH COURT NORTH, SUITE 118
 PALM BEACH GARDENS, FL 33418
 PHONE: 561-744-3424

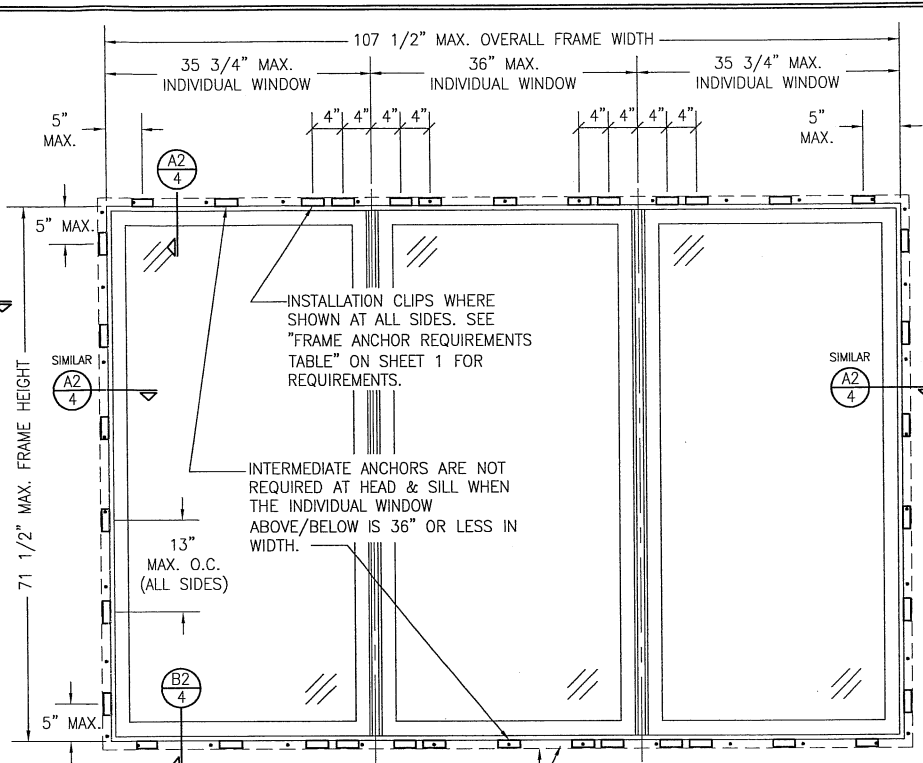
MANUFACTURER

 PELLA CORPORATION
 102 MAIN STREET
 PELLA, IA 50219
 641-621-1000



DRAWING NO.	REV.
1935	A
SHEET NO.	
2	4



EXTERIOR ELEVATION:
3-WIDE WINDOW
 SCALE: 3/4" = 1'-0"
 (NAIL FIN MOUNT CONDITION)


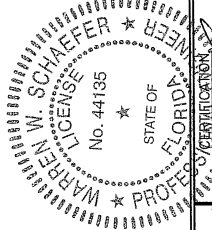


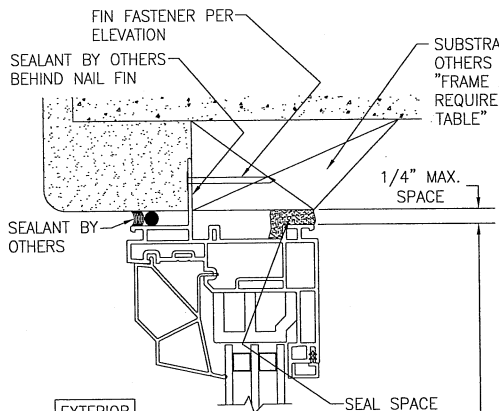
EXTERIOR ELEVATION:
3-WIDE WINDOW
 SCALE: 3/4" = 1'-0"
 (CLIP MOUNT CONDITION)

ALLOWABLE DESIGN PRESSURE
 (3-WIDE WINDOW UNITS)
 +/-35 PSF

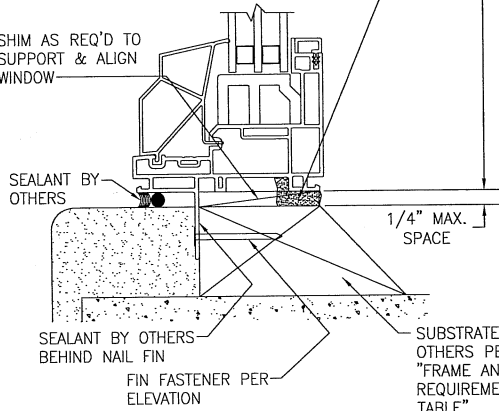
3-WIDE UNIT NOTES:
 1. THE WINDOWS WITHIN ARE NOT REQUIRED TO BE OF EQUAL WIDTH.

NAIL FIN AND ANCHORING OF NAIL FIN IS OPTIONAL & SHALL NOT ACT AS A SUBSTITUTE FOR THE FRAME ANCHORS SPECIFIED. FIN MAY BE REMOVED WHEN REQUIRED BY OPENING CONDITIONS

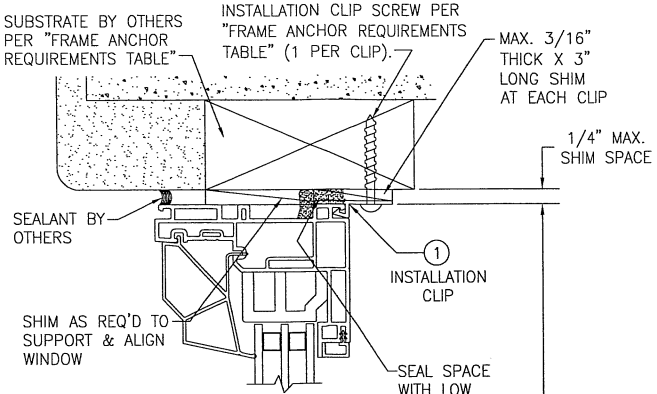
DRAWN BY: W.W.S.	CHECKED BY: W.W.S.
PLOT: 1-16	DATE: 04/05/18
DATE	BY
NO.	REVISION DESCRIPTION
DRAWING TITLE 250 SERIES VINYL NON-IMPACT FIXED CASEMENT/awning WINDOWS	
CONSULTANTS W. W. SCHAEFER ENGINEERING & CONSULTING, P.A. (CA 6809) 7480 150TH COURT NORTH PALM BEACH GARDENS, FL 33418 PHONE: 561-744-3424	MANUFACTURER  PELLA CORPORATION 102 MAIN STREET PELLA, IA 50219 641-621-1000
	
DRAWING NO. 1935	REV. A
SHEET NO. 3	OF 4



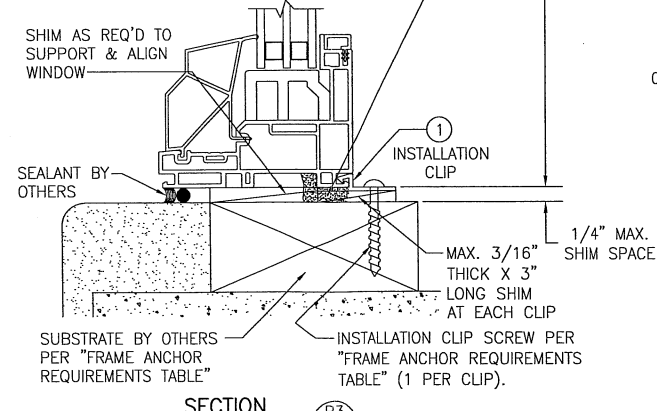
SECTION A1
SCALE: 3/4 FULL
(NAIL FIN MOUNT)



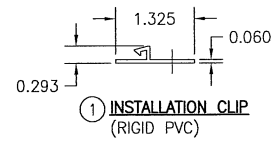
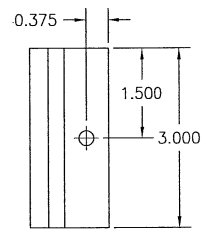
SECTION B1
SCALE: 3/4 FULL
(NAIL FIN MOUNT)



SECTION A3
SCALE: 3/4 FULL
(CLIP MOUNT)



SECTION B3
SCALE: 3/4 FULL
(CLIP MOUNT)



DRAWN BY:	W.M.S.	CHECKED BY:	W.M.S.
PLT:	1-16	DATE:	04/05/18
NO.		REVISION	DESCRIPTION
BY			
DATE			

DRAWING TITLE
250 SERIES VINYL NON-IMPACT FIXED CASEMENT/awning WINDOWS

MANUFACTURER
PELLA CORPORATION
102 MAIN STREET
PELLA, IA 50219
641-621-1000

CONSULTANTS
W. W. SCHAEFER ENGINEERING & CONSULTING, P.A. (CA 6609)
7480 150TH COURT NORTH
PALM BEACH GARDENS, FL 33418
PHONE: 561-744-3424



DATE
SEP 27 2018

NAME
WARREN W. SCHAEFER, P.E.
P.E. NO. 44135

DRAWING NO.	REV.
1935	A
SHEET NO.	
4	OF 4